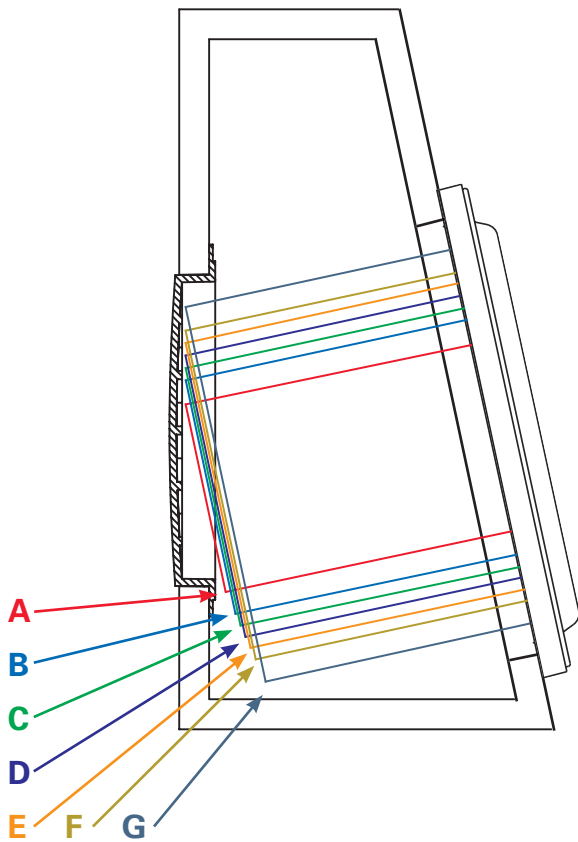


BASS SLAMMER™

BASSslammer.com



- A. Max. Mounting Depth: 6" (152.4mm)
Max. Motor Diameter: 4" (101.6mm)**
- B. Max. Mounting Depth: 5-7/8" (149.23mm)
Max. Motor Diameter: 5" (127.0mm)**
- C. Max. Mounting Depth: 5-7/8" (149.23mm)
Max. Motor Diameter: 5-1/2" (139.7mm)**
- D. Max. Mounting Depth: 5-13/16" (147.64mm)
Max. Motor Diameter: 6" (152.4mm)**
- E. Max. Mounting Depth: 5-3/4" (146.05mm)
Max. Motor Diameter: 6-1/2" (165.1mm)**
- F. Max. Mounting Depth: 5-11/16" (144.46mm)
Max. Motor Diameter: 7" (177.8mm)**
- G. Max. Mounting Depth: 5-9/16" (141.29 mm)
Max. Motor Diameter: 8" (203.2mm)**

Model Number: T110.75SG

Description: Single 10" Unloaded Sealed Truck Enclosure with Grille

Exterior Dimensions: 15" x 22-1/2" x 7-1/2" x 5" (HxWxD BASExD TOP)

Tuning Frequency: N/A

Internal Volume: .75 cu ft

Construction: 5/8" Particle Board

