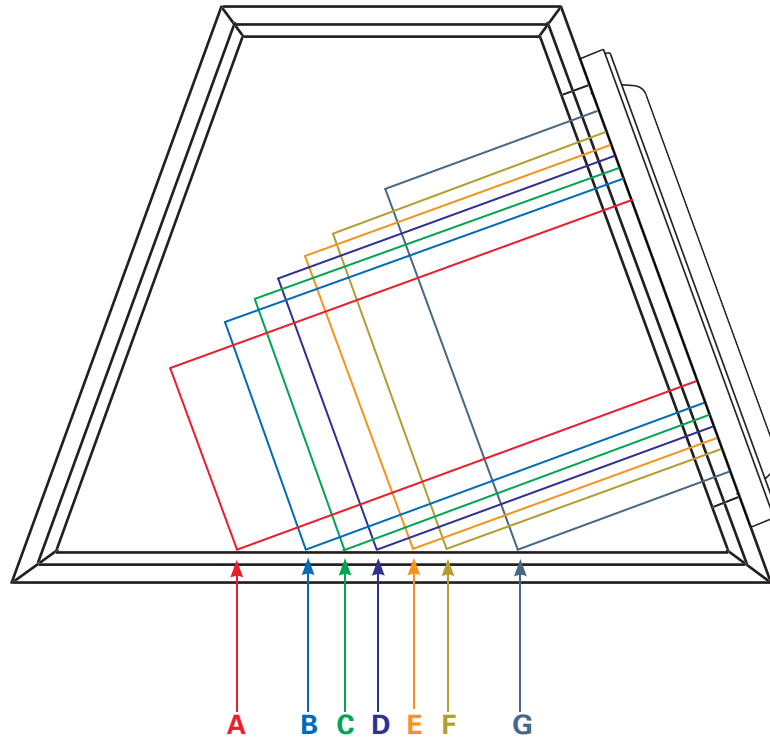


# BASS SLAMMER™

BASSslammer.com



<p><b>A.</b> Max. Mounting Depth: 13-1/8" (333.38mm) Max. Motor Diameter: 4" (101.6mm)</p>	<p><b>E.</b> Max. Mounting Depth: 9-11/16" (246.06mm) Max. Motor Diameter: 6-1/2" (165.1mm)</p>
<p><b>B.</b> Max. Mounting Depth: 11-3/4" (298.45mm) Max. Motor Diameter: 5" (127.0mm)</p>	<p><b>F.</b> Max. Mounting Depth: 9" (228.6mm) Max. Motor Diameter: 7" (177.8mm)</p>
<p><b>C.</b> Max. Mounting Depth: 11-1/16" (280.99mm) Max. Motor Diameter: 5-1/2" (139.7mm)</p>	<p><b>G.</b> Max. Mounting Depth: 7-5/8" (193.66mm) Max. Motor Diameter: 8" (203.2mm)</p>
<p><b>D.</b> Max. Mounting Depth: 10-3/8" (263.53mm) Max. Motor Diameter: 6" (152.4mm)</p>	

**Model Number:** W112.115S

**Description:** Single 12" Unloaded Sealed Trapezoidal Enclosure

**Exterior Dimensions:** 12-1/4" x 24-1/4" x 16" x 7-1/8" (HxWxD BASExD TOP)

**Tuning Frequency:** N/A

**Internal Volume:** 1.15 cu ft

**Construction:** 5/8" Particle Board

