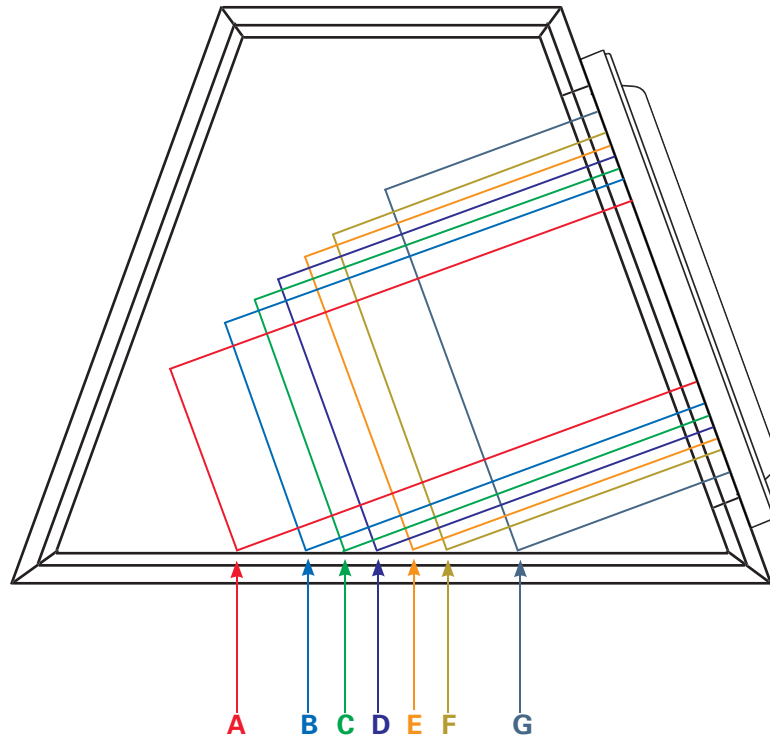


BASS SLAMMER™

BASSslammer.com



A.	Max. Mounting Depth:	10-1/4" (260.35mm)	E.	Max. Mounting Depth:	6-13/16" (173.04mm)
	Max. Motor Diameter:	4" (101.6mm)		Max. Motor Diameter:	6-1/2" (165.1mm)
B.	Max. Mounting Depth:	8-7/8" (225.43mm)	F.	Max. Mounting Depth:	6-1/8" (155.56mm)
	Max. Motor Diameter:	5" (127.0mm)		Max. Motor Diameter:	7" (177.8mm)
C.	Max. Mounting Depth:	8-3/16" (207.96mm)	G.	Max. Mounting Depth:	4-3/4" (120.65mm)
	Max. Motor Diameter:	5-1/2" (139.7mm)		Max. Motor Diameter:	8" (203.2mm)
D.	Max. Mounting Depth:	7-1/2" (190.5 mm)			
	Max. Motor Diameter:	6" (152.4mm)			

Model Number: W210.65S

Description: Dual 10" Unloaded Sealed Trapezoidal Enclosure

Exterior Dimensions: 12-1/4" x 24-1/4" x 16" x 7-1/8" (HxWxD BASExD TOP)

Tuning Frequency: N/A

Internal Volume: .65 cu ft per chamber

Construction: 5/8" Particle Board

