

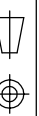
# Mitek Corporation

Research & Development  
 1000 30th Street  
 Monroe, VI 53566  
 Phone: (608)328-2552 Fax: (608)328-2562

THIS DRAWING AND DATA EMBODY PROPRIETARY DESIGNS AND INFORMATION WHICH IS THE CONFIDENTIAL PROPERTY OF MITEK CORPORATION, NONE OF WHICH SHALL BE COPIED, REPRODUCED, DISCLOSED TO OTHERS, PROPOSED OR USED IN WHOLE OR IN PART, FOR ANY PURPOSE WITHOUT EXPRESS WRITTEN PERMISSION OF A DULY AUTHORIZED AGENT OF MITEK CORPORATION. THIS DRAWING IS SUBJECT TO RECALL BY MITEK CORPORATION AT ANY TIME. IT IS BEING SUBMITTED IN CONFIDENCE AND PATENT RIGHTS ARE RESERVED BY MITEK CORPORATION.

MITEK PART # / DRAWING #

MAT'L



TOLERANCES  
 (except as noted)  
 XX ±.1  
 XXX ±.02  
 XXXX ±.015  
 ANGLUR ±1°  
 FRACTIONAL ±1/16

REV

DESCRIPTION

BY

W110.80HG MOUNTING DEPTHS

TITLE

DRAWN IN  
 STANDARD

SHEET #  
 1 OF 1

A

6-9-03

FOR CUSTOMER SERVICE

C.K.

CAD FILE NAME

SCALE  
 1=1

FINISH

NONE

STANDARD

ANGUR ±1°

B

6-19-03

ADDED MORE DIMENSIONS AND METRIC UNITS

C.K.

DRAWN BY  
 C.K.

DATE  
 6-9-03

CHK'D BY

W110.80HG, W210.80HG

1 OF 1

DATE

APPROVED BY

DATE

DATE

DATE

DATE

VENDOR

SAMPLE #

DATE

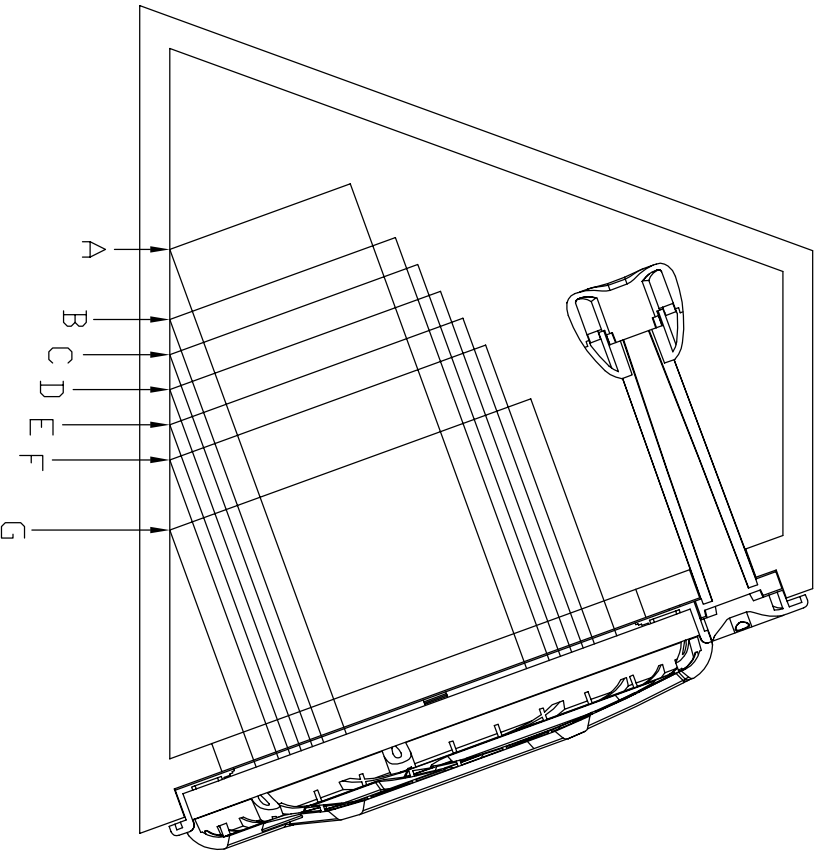
DATE

DATE

DATE

DATE

DATE



- A: 4" DIA, MOTOR, 10.753 MAX MOUNT DEPTH  
 <101.6mm DIA, MOTOR, 273.1mm MAX MOUNT DEPTH>
- B: 5" DIA, MOTOR, 9.379 MAX MOUNT DEPTH  
 <127mm DIA, MOTOR, 238.2mm MAX MOUNT DEPTH>
- C: 5.5" DIA, MOTOR, 8.693 MAX MOUNT DEPTH  
 <139.7mm DIA, MOTOR, 220.8mm MAX MOUNT DEPTH>
- D: 6" DIA, MOTOR, 8.006 MAX MOUNT DEPTH  
 <152.4mm DIA, MOTOR, 203.3mm MAX MOUNT DEPTH>
- E: 6.5" DIA, MOTOR, 7.319 MAX MOUNT DEPTH  
 <165.1mm DIA, MOTOR, 185.9mm MAX MOUNT DEPTH>
- F: 7" DIA, MOTOR, 6.632 MAX MOUNT DEPTH  
 <177.8mm DIA, MOTOR, 168.4mm MAX MOUNT DEPTH>
- G: 8" DIA, MOTOR, 5.258 MAX MOUNT DEPTH  
 <203.2mm DIA, MOTOR, 133.5mm MAX MOUNT DEPTH>