

BASS SLAMMER™

BUG10

Enclosure Volume: 1.1 Cubic Foot, Sealed

READ ALL DIRECTIONS CAREFULLY BEFORE BEGINNING

MOUNTING LOCATION: The enclosure mounts in rear hatch of Volkswagen Beetle on passengers side.

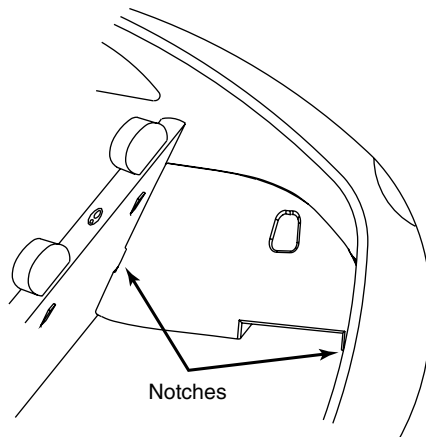
TOOLS FOR INSTALLATION:

Powered Screwdriver

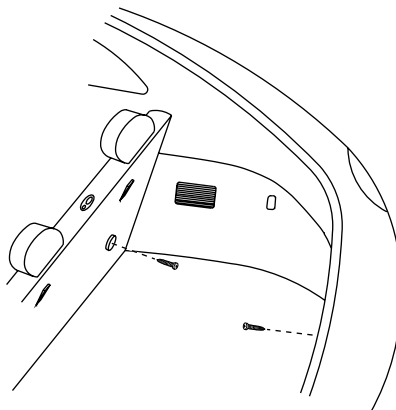
#2 Phillips Head Bit

INSTALLATION: Follow the steps below

1. Place gasket provided around woofer hole cutout. Connect black wire to the negative side of woofer and red to the positive side. Using screws provided install woofer into enclosure, making sure not to overtighten screws to avoid stripping.
2. Place enclosure in rear hatch of vehicle, with woofer firing towards the floor of the vehicle on passengers side.
3. Make speaker connections to the enclosure from the amplifier, loosen terminal knobs (a 13mm nut driver can be used). Connect speaker wires from amplifier to enclosure, positive to red terminal knob and negative to black terminal knob.
4. With enclosure placed against the passenger side of vehicle in rear hatch. Place a piece of tape at the two notches of the enclosure. One on the back of rear seat and one on spare tire lid flap at rear of vehicle.



5. Remove enclosure and screw rubber pads in the location where enclosure notches were, the rubber pads hold the enclosure in place.



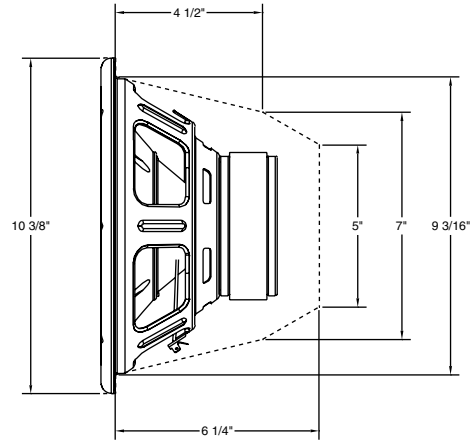
6. Put enclosure back in place, reconnect wires, lock seat in position and enjoy.

FACTORY SPEAKER WIRE COLORS

The rear speaker wire colors are right side red/green (positive), orange/green (negative), and left side blue (positive), orange/blue (negative).

Although every effort has been made to assure proper wiring color, Mitek is not responsible for any changes made by the vehicle manufacturer which sometime occur. If wiring colors do not match then physical verification is required. These instructions are guidelines only and in no way are intended to replace a professional installation. As always before screwing and drilling check to make sure you will not damage wires, hoses or cause damage to the vehicle.

MAXIMUM ENCLOSURE MOUNTING SPECIFICATIONS



**MAXIMIZE YOUR SYSTEM'S
PERFORMANCE**

streetwires.com

STREETWIRES®