

S BASS SLAMMER™

C15HC00*10U

Enclosure Volume: .9 Cubic Foot

READ ALL DIRECTIONS CAREFULLY BEFORE BEGINNING

MOUNTING LOCATION: The enclosure mounts behind rear seat, firing forward, in the Chevy/GMC 1500 Crew Cab trucks.

TOOLS FOR INSTALLATION:

Powered Screwdriver

#2 Phillips Head Bit

6" Bit Holder Extension

Socket Wrench

10mm Socket

INSTALLATION: Follow the steps below

1. Place gasket provided around woofer hole cutout. Connect black wire to the negative side of woofer and red to the positive side. Using screws provided install woofer into enclosure, making sure not to overtighten screw to avoid stripping.
2. Slide front seats to full forward position and fold down rear seat.
3. Remove plastic trim that covers the cargo floor louver bolts. Lift up with slow, steady pressure to release the clips that hold it into place. Remove the 4 10mm nuts that hold the louvers in place. Set the trim, louvers and bolts aside in a safe place. The can be reinstalled upon removal of the enclosure.



4. Remove the 2 10mm bolts that hold jack mounting bracket to the floor and set them with the hardware removed in step 3. Remove jack and tools and place them aside, they will be reinstalled in step 8.
5. Place enclosure on the floor, against the back wall of your truck with woofer firing forward.
6. Make speaker connections to the enclosure from the amplifier. Connect speaker wires from amplifier to enclosure, positive to red terminal and negative to black terminal.
7. With the included hardware, secure enclosure into place.



As always, before screwing or drilling check to make sure you will not damage any wires, hoses or cause damage to the vehicle.

- Using the hardware provided, secure the jack and tools to the floor of your truck under the rear, passengers' side seat.

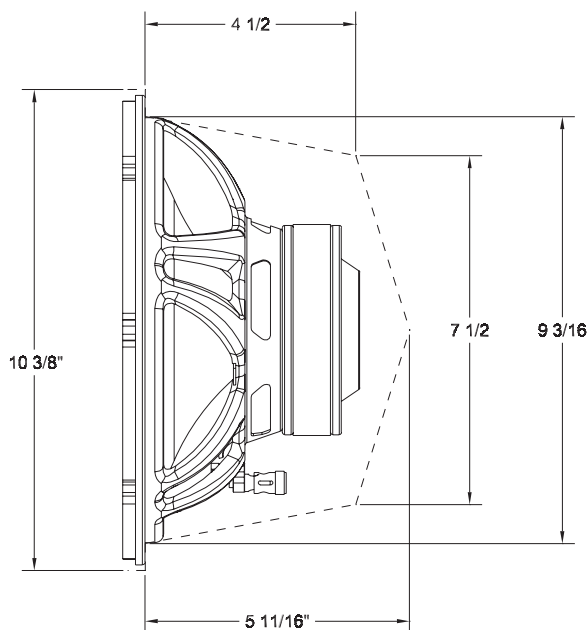


FACTORY SPEAKER WIRE COLORS

In the channel on drivers' side threshold, locate the left and right rear speaker wires wrapped in black tape. Wire colors for the left rear speakers are: **Brown (positive) and Yellow (negative)**. Right rear speaker wire colors are: **Dark Blue (positive) and Light Blue (negative)**.

Although every effort has been made to assure proper wiring color, Mitek is not responsible for any changes made by the vehicle manufacturer which sometime occur. If wiring colors do not match then physical verification is required. These instructions are guidelines only and in no way are intended to replace a professional installation. As always before screwing and drilling check to make sure you will not damage wires, hoses or cause damage to the vehicle.

MAXIMUM ENCLOSURE MOUNTING SPECIFICATIONS



**MAXIMIZE YOUR SYSTEM'S
PERFORMANCE**

streetwires.com

STREETWIRES®