

BASS SLAMMER™

C25HC00

Enclosure Volume: 1.64 Cubic Foot, Sealed

READ ALL DIRECTIONS CAREFULLY BEFORE BEGINNING

MOUNTING LOCATION: The enclosure mounts behind rear seats, firing forward, in Chevy 2500 HD Crew Cab Trucks.

TOOLS FOR INSTALLATION:

Powered Screwdriver

#2 Phillips Head Bit

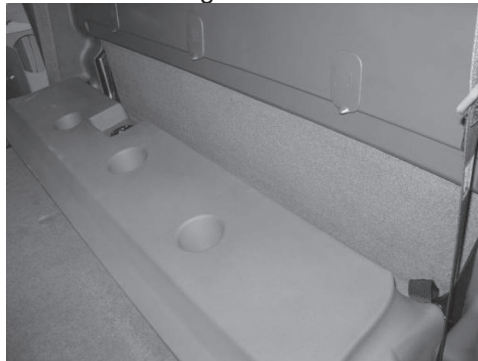
6" Bit Holder Extension

INSTALLATION: Follow the steps below

1. Place gasket provided around woofer hole cutout. Connect black wire to the negative side of woofer and red to positive side. Using screws provided install woofer into enclosure, making sure not to overtighten screw to avoid stripping.
2. Make speaker connections to the enclosure from the amplifier. Connect speaker wires from amplifier to enclosure, positive to red terminal and negative to black terminal.
3. Secure the provided straps to enclosure using the provided strap clips.



4. Fold down rear seat and place enclosure face down against back wall of truck. Rout straps around factory vents.



5. With straps in place, tip enclosure to up-right position and tighten straps. Fold seat to upright position to lock the enclosure in place.

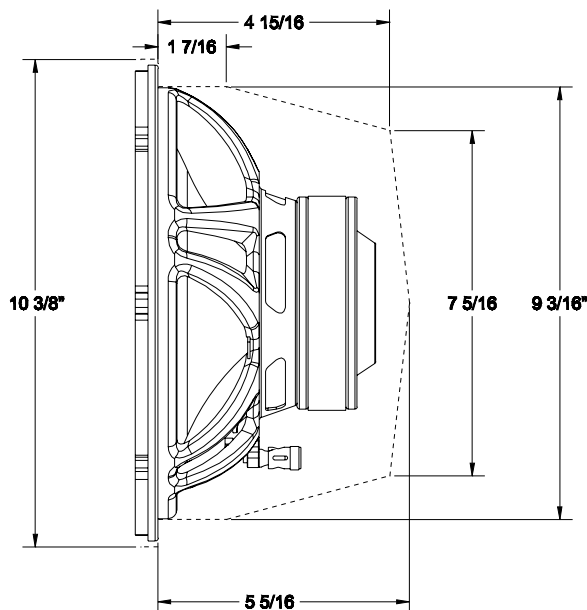


FACTORY SPEAKER WIRE COLORS

In the channel on drivers' side threshold, locate the left rear speaker wires wrapped in black tape. Wire colors for the left rear speakers are: brown (positive) and yellow (negative). Right rear speaker wires are located in the threshold channel on passenger side. Right rear speaker wire colors are: dark blue (positive) and light blue (negative).

Although every effort has been made to assure proper wiring color, Mitek is not responsible for any changes made by the vehicle manufacturer which sometime occur. If wiring colors do not match then physical verification is required. These instructions are guidelines only and in no way are intended to replace a professional installation. As always before screwing and drilling check to make sure you will not damage wires, hoses or cause damage to the vehicle.

MAXIMUM ENCLOSURE MOUNTING SPECIFICATIONS



**MAXIMIZE YOUR SYSTEM'S
PERFORMANCE**

streetwires.com

STREETWIRES®