

BASS SLAMMER™

CCOLC04

Enclosure Volume: .6 Cubic Foot, Sealed

READ ALL DIRECTIONS CAREFULLY BEFORE BEGINNING

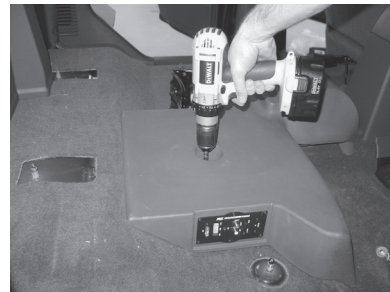
MOUNTING LOCATION: The enclosure mounts behind rear seats, firing down, in Chevy Colorado/GMC Canyon Crew Cab Trucks.

TOOLS FOR INSTALLATION:

Powered Screwdriver	#2 Phillips Head Bit
6" Bit Holder Extension	18mm Deep Socket
3" Socket Extension	3/8" Socket Wrench

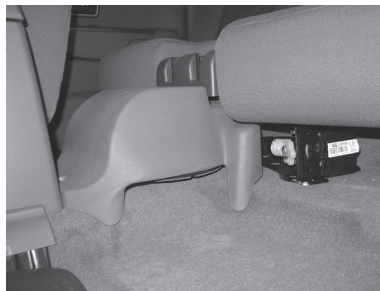
INSTALLATION: Follow the steps below

1. Place gasket provided around woofer hole cutout. Connect black wire to the negative side of woofer and red to positive side. Using screws provided install woofer into enclosure, making sure not to overtighten screw to avoid stripping.
2. Make speaker connections to the enclosure from the amplifier. Connect speaker wires from amplifier to enclosure, positive to red terminal and negative to black terminal.
3. Slide front seats to full forward position and down rear seats.
4. Remove the four 18mm nuts that hold rear seat in place.
5. You may want someone to help you for this step. Lift out rear seat and set aside.
6. Place enclosure on the floor behind the front seats with woofer firing down as shown below.
7. Using the hardware provided, secure enclosure to the floor of your truck as shown below.



As always, before screwing or drilling check to make sure you will not damage any wires, hoses or cause damage to the vehicle.

8. Carefully reinstall rear seat over enclosure and bolt into place.

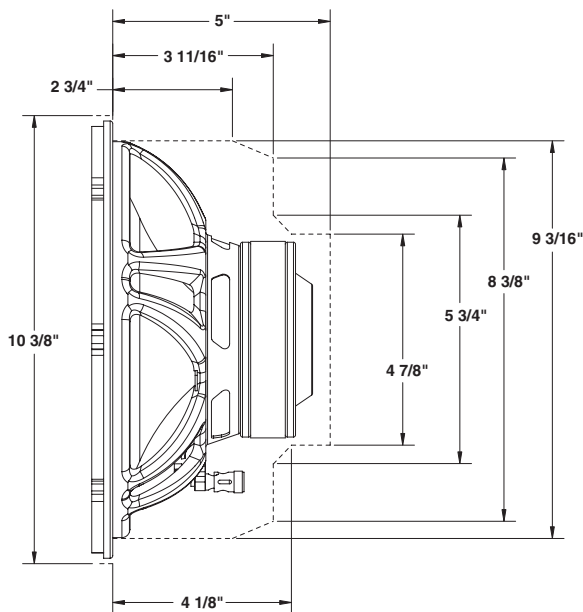


FACTORY SPEAKER WIRE COLORS

In the channel on drivers' side threshold, locate the left rear speaker wires wrapped in black tape. Wire colors for the left rear speakers are: tan/yellow (positive) and grey/light blue (negative). Right rear speaker wires are located in the threshold channel on passenger side. Right rear speaker wire colors are: orange/red (positive) and brown/pink (negative).

Although every effort has been made to assure proper wiring color, Mitek is not responsible for any changes made by the vehicle manufacturer which sometime occur. If wiring colors do not match then physical verification is required. These instructions are guidelines only and in no way are intended to replace a professional installation. As always before screwing and drilling check to make sure you will not damage wires, hoses or cause damage to the vehicle.

MAXIMUM ENCLOSURE MOUNTING SPECIFICATIONS



**MAXIMIZE YOUR SYSTEM'S
PERFORMANCE**

streetwires.com

STREETWIRES®