

S BASS SLAMMER™

CS10

Enclosure Volume: 1.1 Cubic Foot, Sealed

READ ALL DIRECTIONS CAREFULLY BEFORE BEGINNING

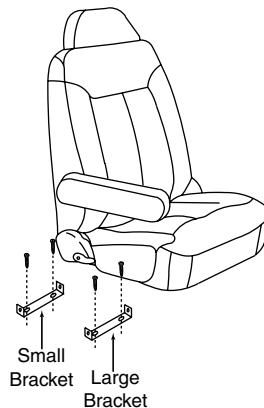
MOUNTING LOCATION: The enclosure replaces the factory console in Chevy and GMC Suburban, Yukon, Tahoe, full size Blazer and 1988-1998 Chevy Extended Cab and Regular Trucks with bucket seats.

TOOLS FOR INSTALLATION:

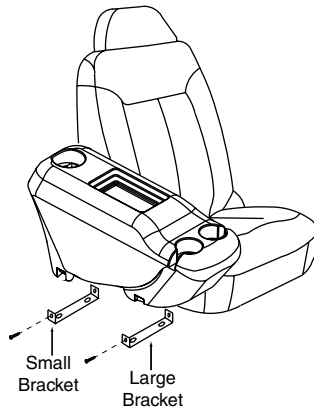
Phillips Head Screwdriver	10mm Socket
Ratchet	6" Ratchet Extension
T-50 Torx	

INSTALLATION: Follow the steps below

1. Enclosure mounts firing down replacing factory console.
2. Start by removing factory console, open console and remove inner compartment. Pull drawer on bottom rear of console out. Remove two 10mm bolts at front of console on floor. Pull console forward towards dash, this will unclip console at rear. Remove two 10mm bolts holding rear bracket to floor.
3. Using factory bolts, bolt down mounting brackets in holes for factory console (the small bracket in rear and the large bracket in the front).



4. Place gasket provided around woofer hole cutout. Connect black wire to the negative side of woofer and red to the positive side. Using screws provided install woofer into enclosure, making sure not to overtighten screws to avoid stripping.
5. Make speaker connections to the enclosure from the amplifier, loosen terminal knobs (a 13mm nut driver can be used). Connect speaker wires from amplifier to enclosure, positive to red terminal knob and negative to black terminal knob.
6. Mount enclosure in vehicle, align recess in side of enclosure with brackets installed in Step "3" (see drawing below). Using screws provided attach enclosure to brackets. Passenger side front can be reached from under seat, through window in side of seat rail. Drivers side front is a little more difficult, but can be done at a slight angle from the front of the drivers seat. To reach the rear mounting holes, move seats as far forward as possible and using a T-50 torx, remove seat belt at floor. Install screws into enclosure through brackets. Reinstall seat belts.

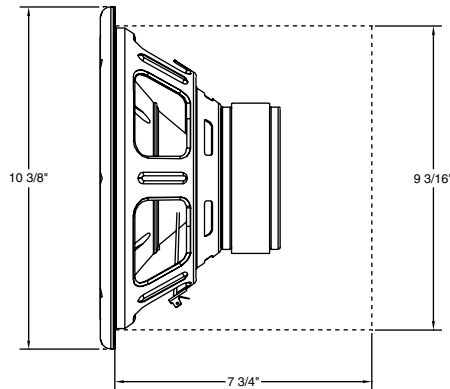


FACTORY SPEAKER WIRE COLORS

The rear speaker wires are located under the drivers side threshold. Colors are right side dark blue (positive), light blue (negative), and left side brown (positive), yellow (negative).

Although every effort has been made to assure proper wiring color, Mitek is not responsible for any changes made by the vehicle manufacturer which sometime occur. If wiring colors do not match then physical verification is required. These instructions are guidelines only and in no way are intended to replace a professional installation. As always before screwing and drilling check to make sure you will not damage wires, hoses or cause damage to the vehicle.

MAXIMUM ENCLOSURE MOUNTING SPECIFICATIONS



**MAXIMIZE YOUR SYSTEM'S
PERFORMANCE**

streetwires.com

STREETWIRES®