

BASS SLAMMER™

CXP20

Enclosure Volume: 1.9 Cubic Foot, Sealed

READ ALL DIRECTIONS CAREFULLY BEFORE BEGINNING

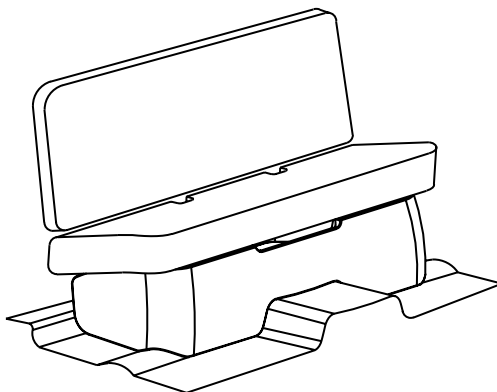
MOUNTING LOCATION: The enclosure mounts on the driver's side under rear seat on Chevy Extended Cab Trucks.

TOOLS FOR INSTALLATION:

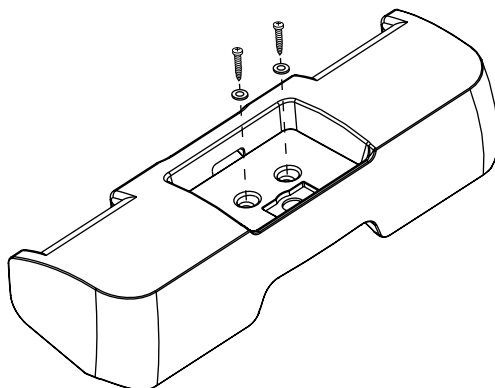
Powered Screwdriver

INSTALLATION: Follow the steps below

1. Place gasket provided around woofer hole cutout. Connect black wire to the negative side of woofer and red to the positive side. Using screws provided install woofer into enclosure, making sure not to overtighten screws to avoid stripping.
2. Place enclosure in under rear seat, with woofer firing down.



3. Make speaker connections to the enclosure from the amplifier, loosen terminals knobs (a 13mm nut driver can be used.) Connect speaker wires from amplifier to enclosure, positive to red terminal knob and negative to black terminal knob.
4. Using hardware provided, mount the enclosure as shown below.

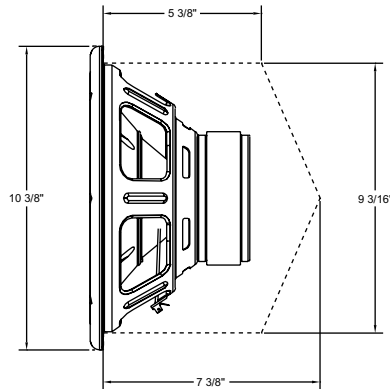


FACTORY SPEAKER WIRE COLORS

The rear speaker wires are located under the drivers side threshold, in the smaller of the two wiring harnesses. Colors are right side dark blue (positive), light blue (negative), and left side brown (positive), yellow (negative).

Although every effort has been made to assure proper wiring color, Mitek is not responsible for any changes made by the vehicle manufacturer which sometime occur. If wiring colors do not match then physical verification is required. These instructions are guidelines only and in no way are intended to replace a professional installation. As always before screwing and drilling check to make sure you will not damage wires, hoses or cause damage to the vehicle.

MAXIMUM ENCLOSURE MOUNTING SPECIFICATIONS



**MAXIMIZE YOUR SYSTEM'S
PERFORMANCE**

streetwires.com

STREETWIRES®