

S BASS SLAMMER™

DD8

Enclosure Volume: .7 Cubic Foot, Vented

READ ALL DIRECTIONS CAREFULLY BEFORE BEGINNING

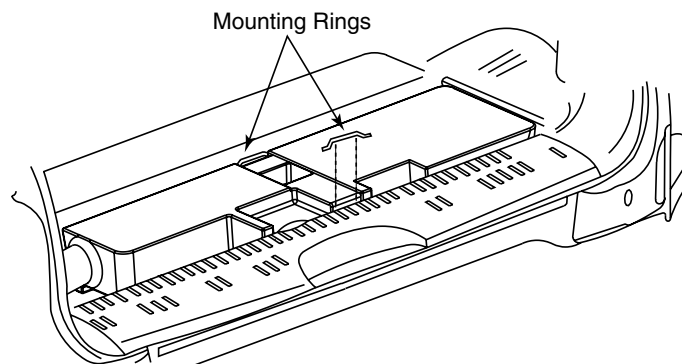
MOUNTING LOCATION: The enclosure mounts in storage area under the rear hatch.

TOOLS FOR INSTALLATION:

Powered Screwdriver

INSTALLATION: Follow the steps below

1. Place gasket provided around woofer hole cutout. Connect black wire to the negative side of woofer and red to the positive side. Using screws provided install woofer into enclosure, making sure not to overtighten screws to avoid stripping.
2. Open rear storage lid and remove felt cover from the bottom of the storage area. Pull around sides, this comes out effortlessly.
3. Enclosure mounts with the woofer firing down and the port facing the left side of the vehicle, when looking in the rear hatch from the back of the vehicle.
4. Make speaker connections to the enclosure from the amplifier, loosen terminals knobs (a 13mm nut driver can be used.) Connect speaker wires from amplifier to enclosure, positive to red terminal knob and negative to black terminal knob.
5. Enclosure is mounted using the strap and rings included in hardware pack. (Enclosure must be removed to get the jack arm and lowering port for spare tire.) Place enclosure into vehicle to mark the location for the strap (the groove in the top of the enclosure). One ring goes at the top of the enclosure on the front side storage area. The other ring goes at the back of the enclosure on the bottom back corner of storage area. Remove enclosure, screw down the strap rings. Thread the strap through rings, place enclosure back into the vehicle and tighten strap around enclosure.

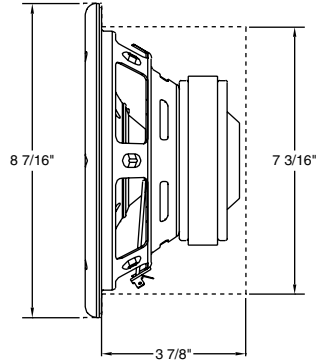


FACTORY SPEAKER WIRE COLORS

The rear speaker wires are located behind passengers side kick panel. Colors are left side, white/red (positive), white/black (negative). Right side, tan/violet (positive), tan/dark green (negative).

Although every effort has been made to assure proper wiring color, Mitek is not responsible for any changes made by the vehicle manufacturer which sometime occur. If wiring colors do not match then physical verification is required. These instructions are guidelines only and in no way are intended to replace a professional installation. As always before screwing and drilling check to make sure you will not damage wires, hoses or cause damage to the vehicle.

MAXIMUM ENCLOSURE MOUNTING SPECIFICATIONS



**MAXIMIZE YOUR SYSTEM'S
PERFORMANCE**

streetwires.com

STREETWIRES®