

BASS SLAMMER™

DDQC10

Enclosure Volume: .7 Cubic Foot, Sealed

READ ALL DIRECTIONS CAREFULLY BEFORE BEGINNING

MOUNTING LOCATION: The enclosure mounts behind the rear seat on driver's side of Dodge Dakota Quad Cab Trucks.

TOOLS FOR INSTALLATION:

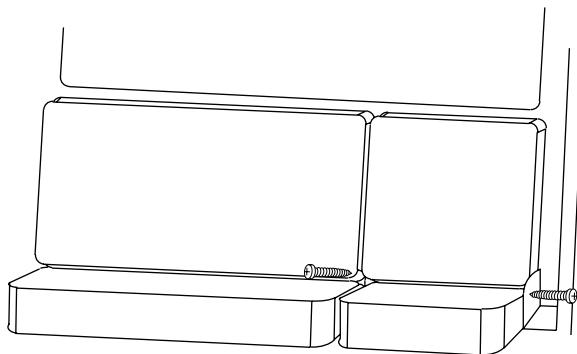
Powered Screwdriver

#2 Phillips Head Bit

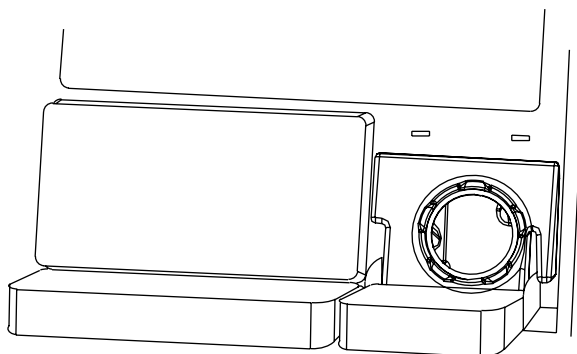
T-45 Torx

INSTALLATION: Follow the steps below

1. Place gasket provided around woofer hole cutout. Connect black wire to the negative side of woofer and red to the positive side. Using screws provided install woofer into enclosure, making sure not to overtighten screws to avoid stripping.
2. With a T-45 Torx remove the 2 bolts holding the back of the rear seat on driver's side. On some models there is a plastic cover over the T-45 bolts. This is held in place with 1 phillips screw. After the 2 bolts have been removed lift seat back straight up, it will remove easily.

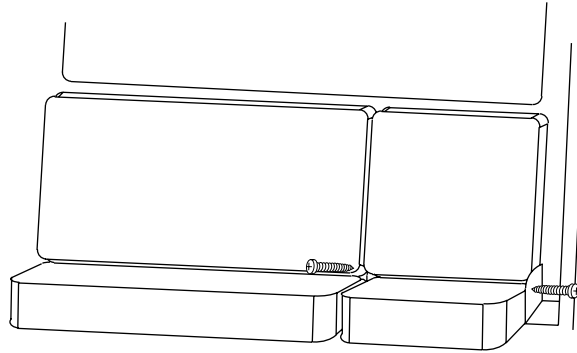


3. Place enclosure behind rear seat with woofer firing forward.



4. Make speaker connections to the enclosure from the amplifier, loosen terminal knobs (a 13mm nut driver can be used). Connect speaker wires from amplifier to enclosure, positive to red terminal knob and negative to black terminal knob.

5. Reinstall back of the rear seat. Slide pins on the back of the seat into the brackets on the back wall. Line up the 2 bolt holes and install bolts.

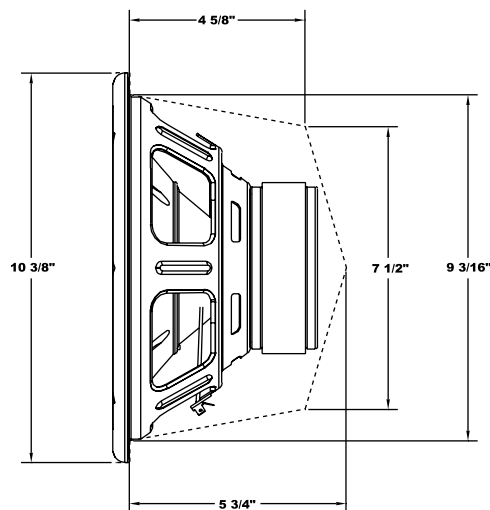


FACTORY SPEAKER WIRE COLORS

The drivers side rear speaker wires are located under driver's side threshold. Colors are white/black (positive), white/red (negative). The passengers side rear speaker wires are located under passenger side threshold. Colors are brown/black (positive), brown/purple (negative).

Although every effort has been made to assure proper wiring color, Mitek is not responsible for any changes made by the vehicle manufacturer which sometime occur. If wiring colors do not match then physical verification is required. These instructions are guidelines only and in no way are intended to replace a professional installation. As always before screwing and drilling check to make sure you will not damage wires, hoses or cause damage to the vehicle.

MAXIMUM ENCLOSURE MOUNTING SPECIFICATIONS



**MAXIMIZE YOUR SYSTEM'S
PERFORMANCE**

streetwires.com

STREETWIRES®