

SBASS SLAMMER™

DMAGW02*10U

Enclosure Volume: .75 Cubic Foot

READ ALL DIRECTIONS CAREFULLY BEFORE BEGINNING

MOUNTING LOCATION: The enclosure mounts in the rear drivers' side panel behind the back seat, side-fire, in Dodge Magnum Wagons.

TOOLS FOR INSTALLATION:

Powered Screwdriver

#2 Phillips Head Bit

6" Bit Holder Extension

Socket Wrench

7mm Socket

Wire Cutters

INSTALLATION: Follow the steps below

1. Attach the included mounting bracket and adhesive foam pads to your enclosure as shown below.



2. Place gasket provided around woofer hole cutout. Connect black wire to the negative side of woofer and red to the positive side. Using screws provided install woofer into enclosure, making sure not to over tighten screws to avoid stripping.
3. Using the supplied screws, attach the included speaker grill to the enclosure to prevent damage from cargo.
4. Remove drivers' side tail light cover and set aside. Remove the 7mm screw from the rear speaker cover and set aside in a safe place, it will be reinstalled later.



5. Set enclosure into cargo area of the vehicle.
6. Route speaker wire from your amplifier, behind the panel and out the tail light cover opening.
7. Make speaker connection to the enclosure from the amplifier. Connect speaker wires from amplifier to enclosure, positive to red terminal and negative to black terminal.

8. Set enclosure into place and secure the mounting bracket using the 7mm speaker mount screw. Reinstall the rear speaker cover.

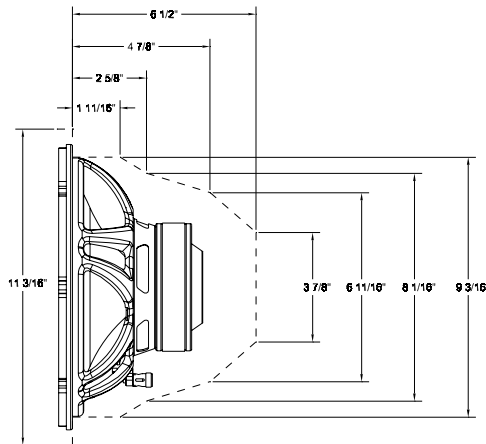


FACTORY SPEAKER WIRE COLORS

Wire colors for the left rear speakers are: **Green/Orange (positive)** and **Green/White (negative)**. Right rear speaker wire colors are: **Green/Purple (positive)** and **Yellow/Grey (negative)**.

Although every effort has been made to assure proper wiring color, Mitek is not responsible for any changes made by the vehicle manufacturer which sometime occur. If wiring colors do not match then physical verification is required. These instructions are guidelines only and in no way are intended to replace a professional installation. As always before screwing and drilling check to make sure you will not damage wires, hoses or cause damage to the vehicle.

MAXIMUM ENCLOSURE MOUNTING SPECIFICATIONS



**MAXIMIZE YOUR SYSTEM'S
PERFORMANCE**

streetwires.com

STREETWIRES®