

BASS SLAMMER™

DRXP20

Enclosure Volume: 1.4 Cubic Foot, Sealed

READ ALL DIRECTIONS CAREFULLY BEFORE BEGINNING

MOUNTING LOCATION: The enclosure mounts under the rear seat on Dodge Extended Cab Trucks.

TOOLS FOR INSTALLATION:

Powered Screwdriver

10mm Socket

15mm Socket

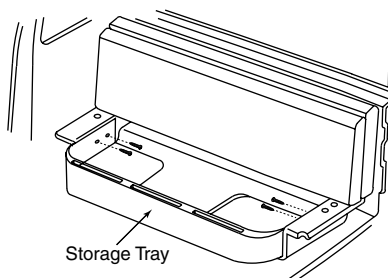
#2 Phillips Head Bit

13mm Socket

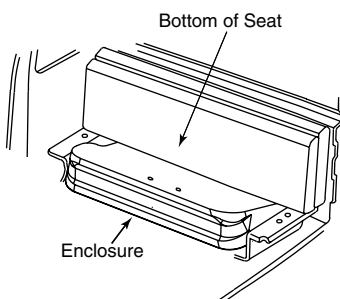
6" Bit Holder Extension

INSTALLATION: Follow the steps below

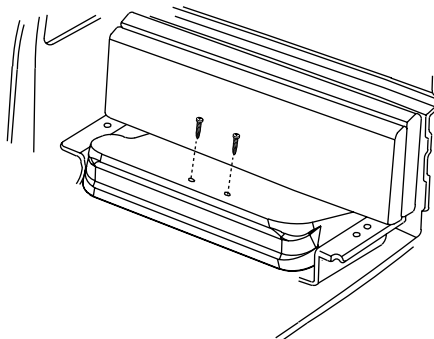
1. Place gasket provided around woofer hole cutout. Connect black wire to the negative side of woofer and red to the positive side. Using screws provided install woofer into enclosure, making sure not to overtighten screws to avoid stripping.
2. On models that have the storage tray remove the (4) 10mm bolts and remove tray. (Save tray and all the hardware, if you sell or trade the truck you may want to replace it). Models that do not have the storage tray skip to Step 3.



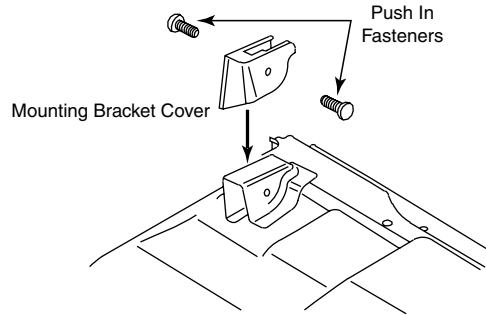
3. Place enclosure under rear seat with woofer firing down.



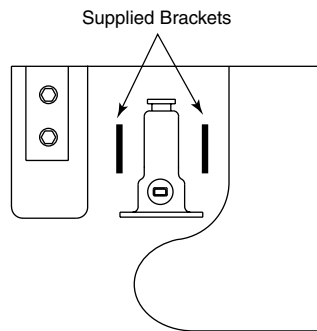
4. Make speaker connections to the enclosure from the amplifier, loosen terminal knobs (a 13mm nut driver can be used). Connect speaker wires from amplifier to enclosure, positive to red terminal knob and negative to black terminal knob.
5. Using screws provided, install the enclosure into vehicle as shown below. On models where enclosure hits jack bracket follow Steps 6, 7, and 8.



6. First remove passenger side threshold. Remove the cover on rear seat mounting bracket on passenger side. Pull out the two push in fasteners. Now you can lift up carpet and remove jack bracket. There are (2) 15mm and (1) 10mm bolt. (Save bracket and hardware, if you sell or trade the truck you may want to replace it).



7. Replace rear seat bracket cover and passenger side threshold.
8. Mount jack between seat bracket and enclosure. Using straps and brackets included, screw bracket to the floor of vehicle as shown. Thread the nylon strap through brackets, place jack between brackets and tighten down the strap.



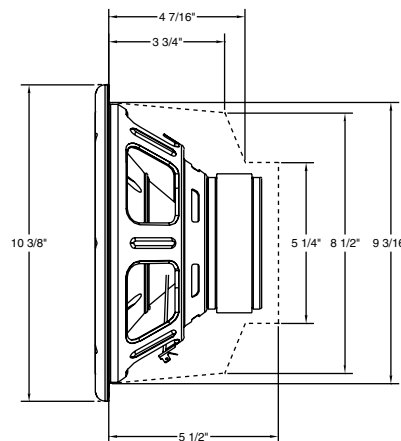
9. You can now install the enclosure into vehicle as shown in Step 5.

FACTORY SPEAKER WIRE COLORS

The rear speaker wires are located under drivers side threshold. Colors are left side, brown/yellow (positive), brown/light blue (negative). Right side, blue/orange (positive), blue/white (negative).

Although every effort has been made to assure proper wiring color, Mitek is not responsible for any changes made by the vehicle manufacturer which sometime occur. If wiring colors do not match then physical verification is required. These instructions are guidelines only and in no way are intended to replace a professional installation. As always before screwing and drilling check to make sure you will not damage wires, hoses or cause damage to the vehicle.

MAXIMUM ENCLOSURE MOUNTING SPECIFICATIONS



**MAXIMIZE YOUR SYSTEM'S
PERFORMANCE**

streetwires.com

STREETWIRES®