

BASS SLAMMER™

F250C00C*10U

Enclosure Volume: .76 Cubic Foot

READ ALL DIRECTIONS CAREFULLY BEFORE BEGINNING

MOUNTING LOCATION: The enclosure mounts behind front seats, firing forward in Ford F250 and F350 Super Crew Cab Trucks.

TOOLS FOR INSTALLATION:

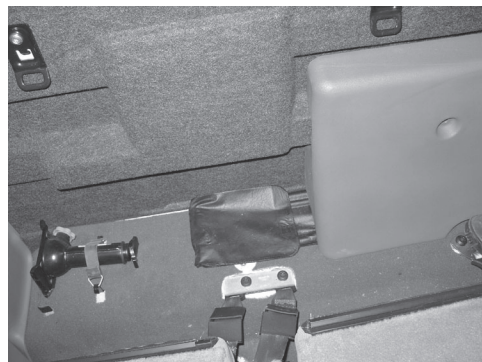
| | |
|-------------------------|----------------------|
| Powered Screwdriver | #2 Phillips Head Bit |
| 6" Bit Holder Extension | Socket Wrench |
| 10mm Socket | 18mm Socket |
| T55 Torx | 8mm Socket |

INSTALLATION: Follow the steps below

1. Place gasket around woofer hole cutout. Connect black wire to the negative side of woofer and red to the positive side. Using screws provided install woofer into enclosure, making sure not to overtighten screw to avoid stripping.
2. Slide front seats to full forward position and fold up rear seat.
3. Using the 18mm socket, remove the 6 bolts holding in the rear seat and cargo tray. On earlier models of this truck, the cargo tray brackets may be held in with T55 torx bolts. Lift the whole seat up and away from the rear wall and rest it behind the front seats.



4. Remove jack tools (you will reinstall them later in step 8) and storage tray. Bin is held in with three 8mm bolts.
5. Make speaker connections to the enclosure from the amplifier. Connect speaker wires from amplifier to enclosure, positive to red terminal and negative to black terminal.
6. Place enclosure tight against back wall of truck.
7. Using the supplied hardware, secure the enclosure to the back wall of vehicle as shown below. Slide jack tools into cut out in the side of enclosure and place the jack back into its mounting bracket



As always, before screwing or drilling check to make sure you will not damage any wires, hoses or cause damage to the vehicle.

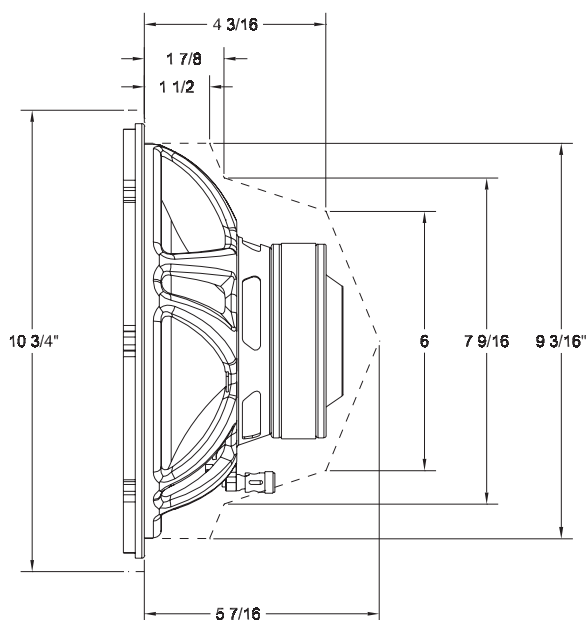
- Place the rear seat back into its' factory location and reinstall the 18mm bolts. (Three T55 and three 18mm bolts on earlier models).

FACTORY SPEAKER WIRE COLORS

In the channel on drivers' side threshold, locate the left and right rear speaker wires individually wrapped in black tape. Wire colors for the left rear speakers are: **Tan/Yellow (positive) and Grey /Light Blue (negative)**. Right rear speaker wire colors are: **Orange/Red (positive) and Brown/Pink (negative)**.

Although every effort has been made to assure proper wiring color, Mitek is not responsible for any changes made by the vehicle manufacturer which sometime occur. If wiring colors do not match then physical verification is required. These instructions are guidelines only and in no way are intended to replace a professional installation. As always before screwing and drilling check to make sure you will not damage wires, hoses or cause damage to the vehicle.

MAXIMUM ENCLOSURE MOUNTING SPECIFICATIONS



**MAXIMIZE YOUR SYSTEM'S
PERFORMANCE**

streetwires.com

STREETWIRES®