

BASS SLAMMER™

F250X00

Enclosure Volume: 1.46 Cubic Foot, Sealed

READ ALL DIRECTIONS CAREFULLY BEFORE BEGINNING

MOUNTING LOCATION: The enclosure mounts behind rear seats, firing up, in Ford F-250/F-350 Super Cab Trucks.

TOOLS FOR INSTALLATION:

Powered Screwdriver

#2 Phillips Head Bit

6" Bit Holder Extension

INSTALLATION: Follow the steps below

1. Place gasket provided around woofer hole cutout. Connect black wire to the negative side of woofer and red to positive side. Using screws provided install woofer into enclosure, making sure not to overtighten screw to avoid stripping.
2. Make speaker connections to the enclosure from the amplifier. Connect speaker wires from amplifier to enclosure, positive to red terminal and negative to black terminal.
3. Slide front seats to full forward position and fold up rear seats.
4. You may want someone to help you for this step. Lift enclosure into your truck and place it under the rear seat with the woofers facing up. Place the drivers side of enclosure in first, so it fits into the seat bracket. Then slide the passenger side, so the enclosure is tight against the seat bottom.



5. Using the hardware provided, secure enclosure to the floor of your truck.

As always, before screwing or drilling check to make sure you will not damage any wires, hoses or cause damage to the vehicle.

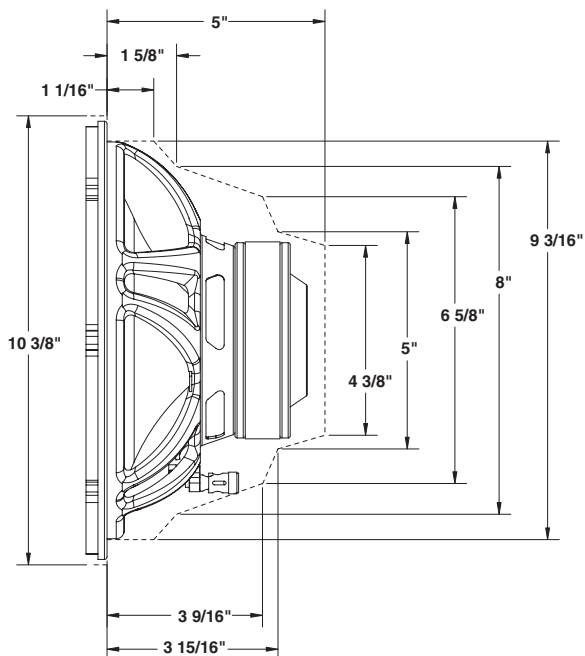


FACTORY SPEAKER WIRE COLORS

In the channel on drivers' side threshold, locate the left rear speaker wires wrapped in black tape. Wire colors for the left rear speakers are: tan/yellow (positive) and grey/light blue (negative). Right rear speaker wires are located in the threshold channel on passenger side. Right rear speaker wire colors are: orange/red (positive) and brown/pink (negative).

Although every effort has been made to assure proper wiring color, Mitek is not responsible for any changes made by the vehicle manufacturer which sometime occur. If wiring colors do not match then physical verification is required. These instructions are guidelines only and in no way are intended to replace a professional installation. As always before screwing and drilling check to make sure you will not damage wires, hoses or cause damage to the vehicle.

MAXIMUM ENCLOSURE MOUNTING SPECIFICATIONS



**MAXIMIZE YOUR SYSTEM'S
PERFORMANCE**

streetwires.com

STREETWIRES®