

BASS SLAMMER™

FESCP01*12U

Enclosure Volume: .92 Cubic Foot

READ ALL DIRECTIONS CAREFULLY BEFORE BEGINNING

MOUNTING LOCATION: The enclosure mounts in the rear drivers' side storage pocket firing to the side in Ford Escape sport utility vehicles.

TOOLS FOR INSTALLATION:

Powered Screwdriver

6" Bit Holder Extension

5/16" Wrench

10mm Socket

#2 Phillips Head Bit

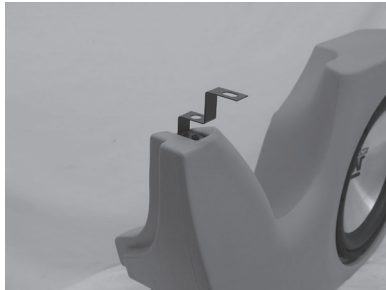
Wire Cutters

Soldering Iron/Hot-Knife

Socket Wrench

INSTALLATION: Follow the steps below

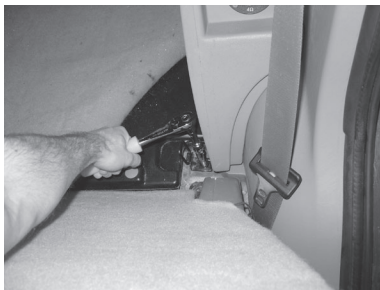
1. Place gasket provided around woofer hole cutout. Connect black wire to the negative side of woofer and red to the positive side. Using screws provided install woofer into enclosure, making sure not to overtighten screw to avoid stripping.
2. Open rear lift gate.
3. Attach the included mounting hardware to your enclosure as shown below.



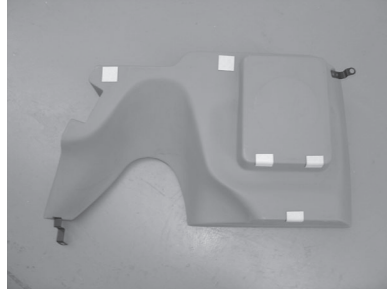
4. Using the supplied screws, attach the included speaker grill to prevent damage from cargo.
5. Remove the rear drivers' side quarter panel and using a soldering iron or hot knife, melt the clips holding it in the storage pocket. Set cover aside in a safe spot, since it can be glued back into place if the enclosure is ever removed.



6. Reinstall the rear quarter panel. Reverse the steps of removal.
7. Remove the tie-down bolt.



8. Remove the adhesive backing from the included rubber pads and apply to back of enclosure as shown below. Then lift enclosure into your SUV and place it on the floor behind the seats with the woofer facing toward the passengers' side of the vehicle.



9. Place enclosure firmly against the plastic side panel of your SUV, making sure the mounting hardware is lined up with the holes left by the removed hanger and bolt. Re-install the cargo net hanger and tie-down bolt to secure the enclosure into place.

10. Make speaker connections to the enclosure from the amplifier, positive to red terminal and negative to black terminal.

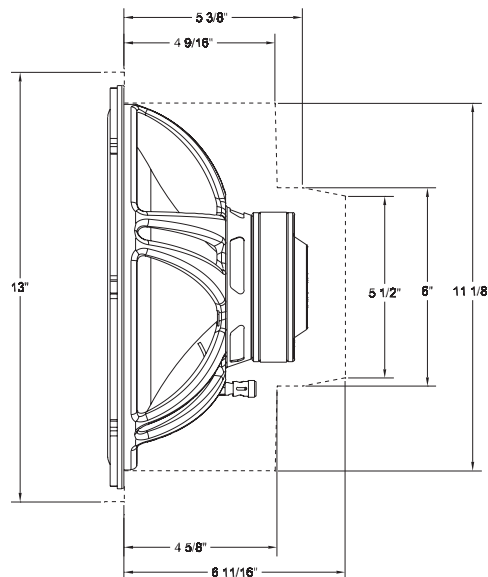
As always, before screwing or drilling check to make sure you will not damage any wires, hoses or cause damage to the vehicle

FACTORY SPEAKER WIRE COLORS

In the channel on drivers' side threshold, locate the left rear speaker wires wrapped in black tape. Wire colors for the left rear speakers are: **Tan/Yellow (positive) and Grey/Light Blue (negative)**. In the channel on the passengers' side threshold, locate right rear speaker wires. Right rear speaker wire colors are: **Orange/Red (positive) and Brown/Pink (negative)**.

Although every effort has been made to assure proper wiring color, Mitek is not responsible for any changes made by the vehicle manufacturer which sometime occur. If wiring colors do not match then physical verification is required. These instructions are guidelines only and in no way are intended to replace a professional installation. As always before screwing and drilling check to make sure you will not damage wires, hoses or cause damage to the vehicle.

MAXIMUM ENCLOSURE MOUNTING SPECIFICATIONS



**MAXIMIZE YOUR SYSTEM'S
PERFORMANCE**

streetwires.com

STREETWIRES®