

BASS SLAMMER™

FEXST01*10U

Enclosure Volume: .73 Cubic Foot

READ ALL DIRECTIONS CAREFULLY BEFORE BEGINNING

MOUNTING LOCATION: The enclosure mounts under the rear passengers' side seat firing down, in the Ford Explorer Sport Trac's.

TOOLS FOR INSTALLATION:

Powered Screwdriver

#2 Phillips Head Bit

6" Bit Holder Extension

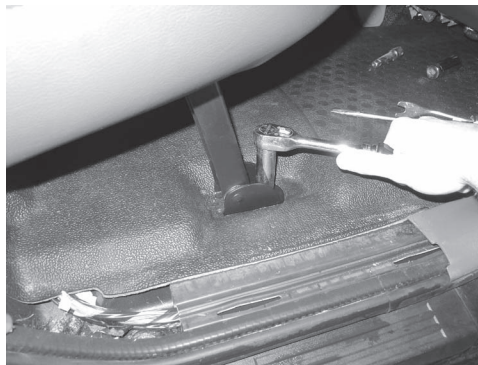
Socket Wrench

15mm Socket

5/16" Wrench

INSTALLATION: Follow the steps below

1. Place gasket provided around woofer hole cutout. Connect black wire to the negative side of woofer and red to the positive side. Using screws provided install woofer into enclosure, making sure not to overtighten screw to avoid stripping.
2. Move passengers' side front seat to full forward position, to allow more room to work.
3. Remove the two 15mm nuts holding the rear, passengers' side seat brackets to the floor.

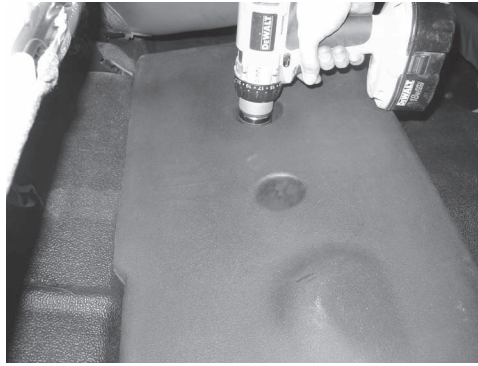


4. Lift enclosure into your vehicle and place it on the floor behind the front seat with the woofer facing down.
5. Lift up the seat, moving seat brackets out of the way and slide enclosure into place.



6. Connect speaker wires from amplifier to enclosure, positive to red terminal and negative to black terminal.

7. Using the supplied hardware, secure enclosure to the floor.



As always, before screwing or drilling check to make sure you will not damage any wires, hoses or cause damage to the vehicle.

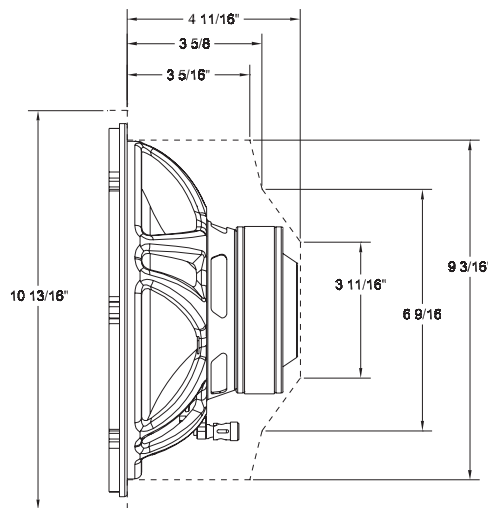
8. Place seat brackets back down over the enclosure and bolt into place.

FACTORY SPEAKER WIRE COLORS

In the channel on drivers' side threshold, locate the left rear speaker wires wrapped in black tape. Wire colors for the left rear speakers are: **Tan/Yellow (positive) and Grey/Light Blue (negative)**. In channel on the passengers' side threshold, locate the right rear speaker wires. Right rear speaker wire colors are: **Orange/Red (positive) and Brown/Pink (negative)**. Tap into wires with the supplied RCA High Level input wires and route over to passengers' side threshold to pre-amp of enclosure.

Although every effort has been made to assure proper wiring color, Mitek is not responsible for any changes made by the vehicle manufacturer which sometime occur. If wiring colors do not match then physical verification is required. These instructions are guidelines only and in no way are intended to replace a professional installation. As always before screwing and drilling check to make sure you will not damage wires, hoses or cause damage to the vehicle.

MAXIMUM ENCLOSURE MOUNTING SPECIFICATIONS



**MAXIMIZE YOUR SYSTEM'S
PERFORMANCE**

streetwires.com

STREETWIRES®