

BASS SLAMMER™

FSC10

Enclosure Volume: 1.1 Cubic Foot, Sealed

READ ALL DIRECTIONS CAREFULLY BEFORE BEGINNING

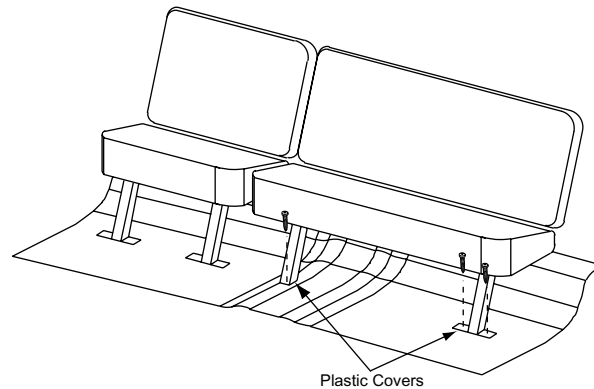
MOUNTING LOCATION: The enclosure mounts on the driver's side under rear seat on Ford F-150 SuperCrew.

TOOLS FOR INSTALLATION:

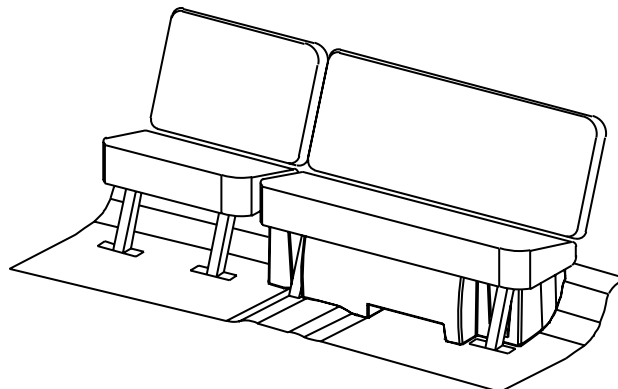
Powered Screwdriver 1/2" Socket

INSTALLATION: Follow the steps below

1. Place gasket provided around woofer hole cutout. Connect black wire to the negative side of woofer and red to the positive side. Using screws provided install woofer into enclosure, making sure not to overtighten screws to avoid stripping.
2. Remove the 2 plastic bolt covers. Press down on cover and slide forward. Remove the 3 seat bracket bolts and flip bottom of seat up.



3. Place enclosure in under rear seat with woofer firing down.
4. Make speaker connections to the enclosure from the amplifier, loosen terminal knobs (a 13mm nut driver can be used.) Connect speaker wires from amplifier to enclosure, positive to red terminal knob and negative to black terminal knob.
5. Bolt seat bracket legs back down and put plastic bolt covers back on.



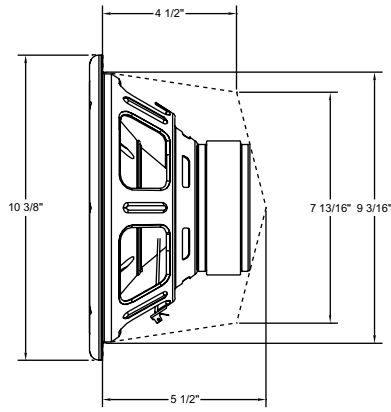
FACTORY SPEAKER WIRE COLORS

The rear speaker wires are located under the driver's and passenger's threshold. Colors are driver's side yellow/blue (positive), tan/yellow (negative), and passenger's side orange/yellow (positive), brown/purple (negative).

Although every effort has been made to assure proper wiring color, Mitek is not responsible for any changes made by the vehicle manufacturer which sometime occur. If wiring colors do not match then physical verification is required. These instructions are guidelines only and in no way are intended to replace a professional installation. As always before screwing and drilling check to make sure you will not damage wires, hoses or cause damage to the vehicle.

See back for Maximum Enclosure Mounting Specs

MAXIMUM ENCLOSURE MOUNTING SPECIFICATIONS



**MAXIMIZE YOUR SYSTEM'S
PERFORMANCE**

streetwires.com

STREETWIRES®