

BASS SLAMMER™

FXP16

Enclosure Volume: .8 Cubic Foot, Sealed

READ ALL DIRECTIONS CAREFULLY BEFORE BEGINNING

MOUNTING LOCATION: The enclosure mounts under the rear passenger seat of Ford Extended Cab Trucks.

TOOLS FOR INSTALLATION:

Powered Screwdriver

7/16" Socket

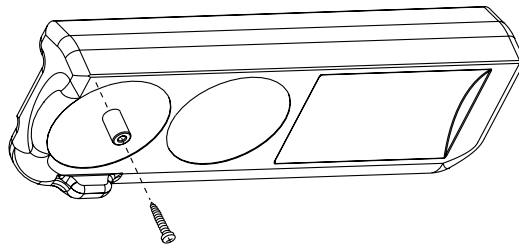
#2 Phillips Head Bit

5/16" Wrench

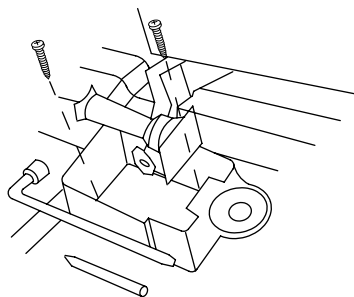
T-50 Torx

INSTALLATION: Follow the steps below

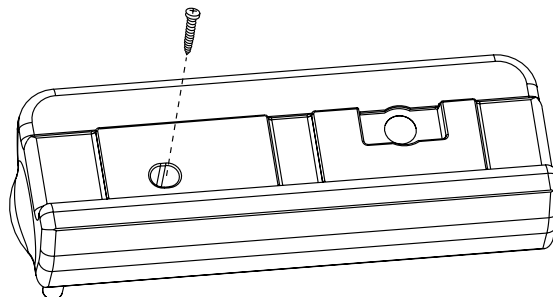
1. Place gasket provided around woofer hole cutout. Connect black wire to the negative side of woofer and red to the positive side. Using screws provided install woofer into enclosure, making sure not to overtighten screws to avoid stripping.
2. On 1997-1999 models follow Steps 5-10. On 2000-Newer models screw rubber foot to the front corner of the enclosure using the 2" screw provided in the hardware pack.



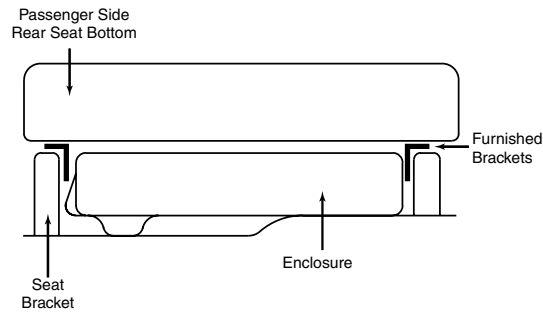
3. Lift rear seats up, on models that have the jack mounted under the rear seat on the passenger side of vehicle, will need to have the jack moved. Remove the jack box and unthread the two bolt studs sticking out of the floor (you will want to save these studs if you want or need to put the vehicle back in it's original condition). Place the two rubber plugs in the hardware pack in the bolt holes where the two studs were. Take the jack box and place it on it's top on the drivers side of the vehicle under the rear seat. Using the two screws and washer, screw the jack box to the floor of the vehicle as shown below.



4. Place enclosure under rear seat on passenger side with woofers firing down. Using 1/4" lag bolt provided, screw enclosure to the floor of the vehicle. Then proceed to Step 8.



5. Remove the three torx head bolts that hold the rear seat on the passenger side to the seat bracket, you will see them when you open the passenger rear door.
6. Insert bracket provided, between seat bracket and seat (furnished bracket needs to point down).



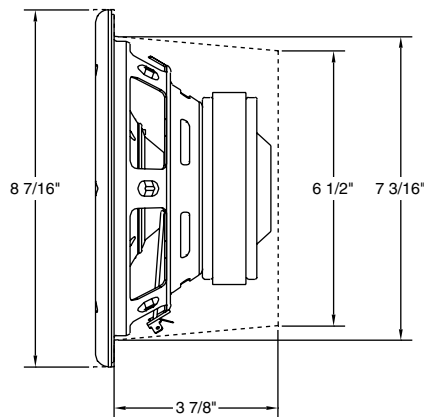
7. Place enclosure under seat with woofers firing down. Make sure enclosure is against the bracket installed in Step 6.
8. Make speaker connections to the enclosure from the amplifier, loosen terminal knobs (a 13mm nut driver can be used). Connect speaker wires from amplifier to enclosure, positive to red terminal knob and negative to black terminal knob.
9. Screw bracket to enclosure (with rear passenger door open you can screw bracket to enclosure easily). Tighten the three torx bolts trapping bracket between seat and seat bracket (make sure enclosure is tight to passenger side of the vehicle and tight against the bottom of the seat).
10. On the drivers side of enclosure place furnished bracket onto top of seat bracket. Screw bracket provided to the top of seat bracket with hardware provided and then to side of enclosure.

FACTORY SPEAKER WIRE COLORS

The speaker wires are located under threshold on passengers side. Colors are left side, orange/light green (positive), light blue/white (negative). Right side, orange/red (positive), brown/pink (negative).

Although every effort has been made to assure proper wiring color, Mitek is not responsible for any changes made by the vehicle manufacturer which sometime occur. If wiring colors do not match then physical verification is required. These instructions are guidelines only and in no way are intended to replace a professional installation. As always before screwing and drilling check to make sure you will not damage wires, hoses or cause damage to the vehicle.

MAXIMUM ENCLOSURE MOUNTING SPECIFICATIONS



**MAXIMIZE YOUR SYSTEM'S
PERFORMANCE**

streetwires.com

STREETWIRES®