

BASS SLAMMER™

FZX3500*12U

Enclosure Volume: 1.2 Cubic Foot

READ ALL DIRECTIONS CAREFULLY BEFORE BEGINNING

MOUNTING LOCATION: The enclosure mounts in the rear drivers' side, behind back seat firing to the side in Ford Focus hatchbacks.

TOOLS FOR INSTALLATION:

Powered Screwdriver

#2 Phillips Head Bit

6" Bit Holder Extension

Wire Cutters

INSTALLATION: Follow the steps below

1. Attach the included mounting hardware to your enclosure as shown below.



2. Using the supplied screws, attach the included speaker grill to prevent damage from cargo.
3. Remove floor mat from rear of hatch area. Remove trim screw by the cargo light and place included upper bracket over the hole and replace the screw.



4. Lift enclosure into your vehicle and place it on the floor behind the seats with the woofer facing toward the passengers' side of the vehicle. Mount enclosure to the floor and upper bracket with included screws.



As always, before screwing or drilling check to make sure you will not damage any wires, hoses or cause damage to the vehicle.

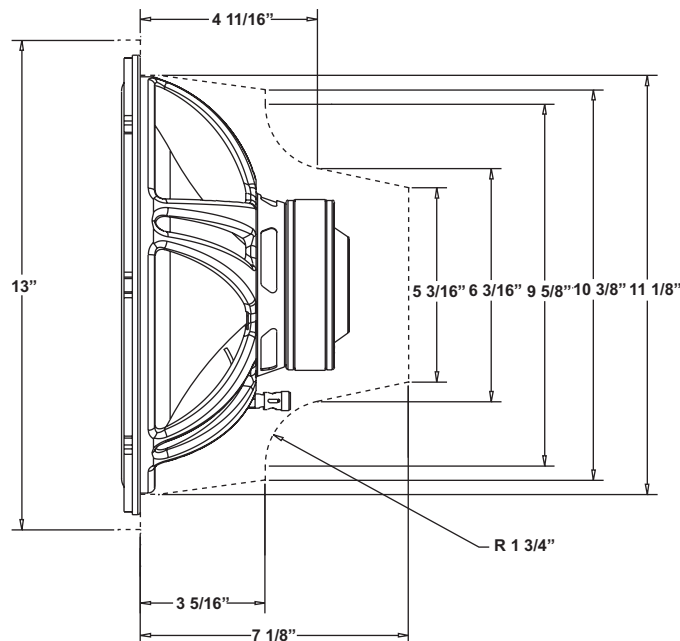
5. Replace floor mat, sliding it under your new enclosure.
6. Make speaker connections to the enclosure from the amplifier. Connect speaker wires from amplifier to enclosure, positive to red terminal and negative to black terminal.

FACTORY SPEAKER WIRE COLORS

In the channel on drivers' side threshold, locate the left rear speaker wires wrapped in black tape. Wire colors for the left rear speakers are: **White/Purple (positive)** and **Grey/White (negative)**. In channel on the passengers' side threshold, locate right rear speaker wires. Right rear speaker wire colors are: **White/Blue (positive)** and **Brown/Blue (negative)**. Tap into wires with the supplied RCA High Level input wires and route over to drivers' side threshold and to pre-amp of enclosure.

Although every effort has been made to assure proper wiring color, Mitek is not responsible for any changes made by the vehicle manufacturer which sometime occur. If wiring colors do not match then physical verification is required. These instructions are guidelines only and in no way are intended to replace a professional installation.

MAXIMUM ENCLOSURE MOUNTING SPECIFICATIONS



MAXIMIZE YOUR SYSTEM'S PERFORMANCE streetwires.com **STREETWIRES®**