

# BASS SLAMMER™

## JETTA10

Enclosure Volume: .8 Cubic Foot, Sealed

**READ ALL DIRECTIONS CAREFULLY BEFORE BEGINNING**

**MOUNTING LOCATION:** The enclosure mounts in the trunk of Volkswagen Jetta on passengers side.

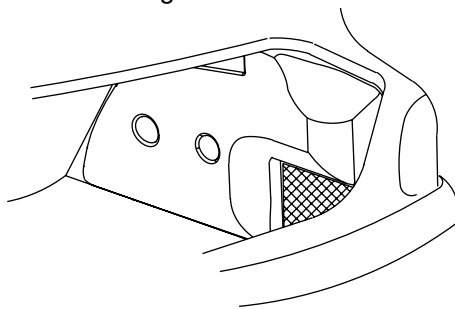
**TOOLS FOR INSTALLATION:**

Powered Screwdriver

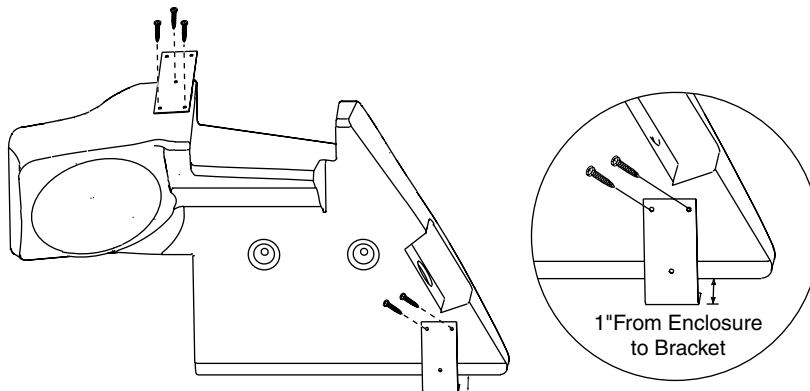
#2 Phillips Bit

**INSTALLATION:** Follow the steps below

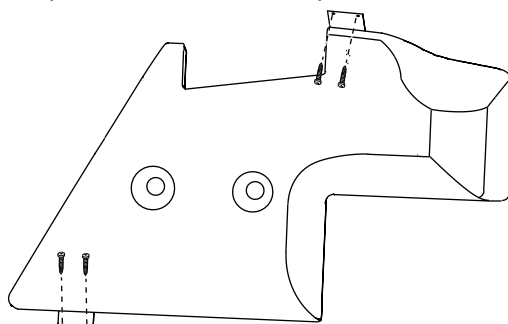
1. Place gasket provided around woofer hole cutout. Connect black wire to the negative side of woofer and red to the positive side. Using screws provided install woofer into enclosure, making sure not to overtighten screws to avoid stripping.
2. Place enclosure in trunk of vehicle, with woofer firing towards the side of the vehicle on passengers side.



3. Make speaker connections to the enclosure from the amplifier, loosen terminal knobs (a 13mm nut driver can be used). Connect speaker wires from amplifier to enclosure, positive to red terminal knob and negative to black terminal knob.
4. Using hardware provided, attach the mounting brackets to the enclosure.



5. Remove the spare tire cover. Place enclosure against passengers side of trunk, hold up against top of trunk. Using screws provided install enclosure. Put spare tire cover back in place.

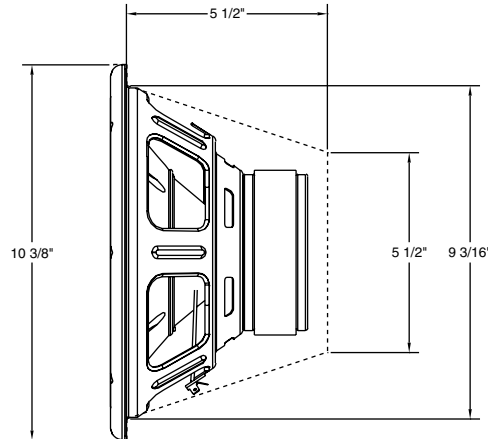


## FACTORY SPEAKER WIRE COLORS

The rear speaker wires are located in both door posts. Colors are right side red/green (positive), orange/green (negative), and left side blue (positive), orange/blue (negative), twisted pair of wires.

*Although every effort has been made to assure proper wiring color, Mitek is not responsible for any changes made by the vehicle manufacturer which sometime occur. If wiring colors do not match then physical verification is required. These instructions are guidelines only and in no way are intended to replace a professional installation. As always before screwing and drilling check to make sure you will not damage wires, hoses or cause damage to the vehicle.*

## MAXIMUM ENCLOSURE MOUNTING SPECIFICATIONS



**MAXIMIZE YOUR SYSTEM'S  
PERFORMANCE**

[streetwires.com](http://streetwires.com)

**STREETWIRES®**