

S BASS SLAMMER™

NEON10

Enclosure Volume: .8 Cubic Foot, Sealed

READ ALL DIRECTIONS CAREFULLY BEFORE BEGINNING

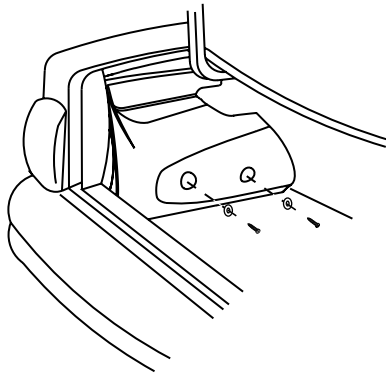
MOUNTING LOCATION: The enclosure mounts in trunk of two or four door Neon on drivers' side.

TOOLS FOR INSTALLATION:

Powered Screwdriver

INSTALLATION: Follow the steps below

1. Place gasket provided around woofer hole cutout. Connect black wire to the negative side of woofer and red to the positive side. Using screws provided install woofer into enclosure, making sure not to overtighten screws to avoid stripping.
2. Place enclosure in trunk of vehicle, with woofer firing towards the rear of the vehicle on drivers side.
3. Make speaker connections to the enclosure from the amplifier, loosen terminal knobs (a 13mm nut driver can be used.) Connect speaker wires from amplifier to enclosure, positive to red terminal knob and negative to black terminal knob.
4. Using screws provided, install the enclosure into vehicle as shown below.

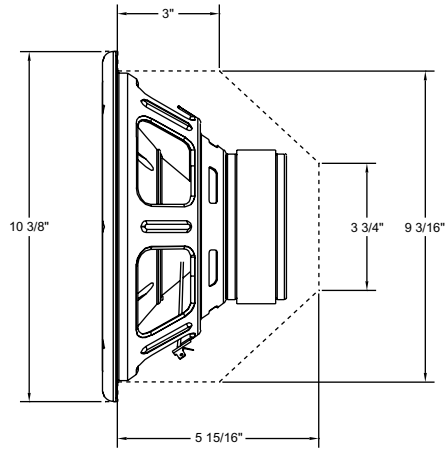


FACTORY SPEAKER WIRE COLORS

Speaker wires are located under the rear deck in the trunk. Colors are left side, brown/yellow (positive), brown/light blue (negative). Right side, dark blue/white (positive), dark blue/orange (negative).

Although every effort has been made to assure proper wiring color, Mitek is not responsible for any changes made by the vehicle manufacturer which sometime occur. If wiring colors do not match then physical verification is required. These instructions are guidelines only and in no way are intended to replace a professional installation. As always before screwing and drilling check to make sure you will not damage wires, hoses or cause damage to the vehicle.

MAXIMUM ENCLOSURE MOUNTING SPECIFICATIONS



**MAXIMIZE YOUR SYSTEM'S
PERFORMANCE**

streetwires.com

STREETWIRES®