

BASS SLAMMER™

NTTNK04*20U

Enclosure Volume: 1.8 Cubic Foot

READ ALL DIRECTIONS CAREFULLY BEFORE BEGINNING

MOUNTING LOCATION: The enclosure mounts under rear seat firing down, in Nissan Titan King and Crew Cab trucks.

TOOLS FOR INSTALLATION:

Powered Screwdriver

#2 Phillips Head Bit

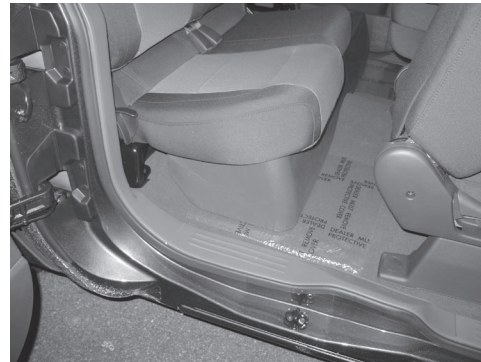
6" Bit Holder Extension

Socket Wrench

10mm Socket

INSTALLATION: Follow the steps below

1. Place gasket around woofer hole cutouts. Connect black wire to the negative side of woofer and red to the positive side. Using screws provided install woofer into enclosure, making sure not to overtighten screw to avoid stripping.
2. Slide front seats to full forward position and fold up rear seat.
3. Using a phillips screw driver remove the storage tray (if equipped) from under the rear seat.
4. Place enclosure on the floor behind the front seats with woofer firing down.



5. Make speaker connections to the enclosure from the amplifier. Connect speaker wires from amplifier to enclosure, positive to red terminal and negative to black terminal.
6. Using the hardware provided, secure enclosure to the floor of your truck and fold down rear seat as shown below.



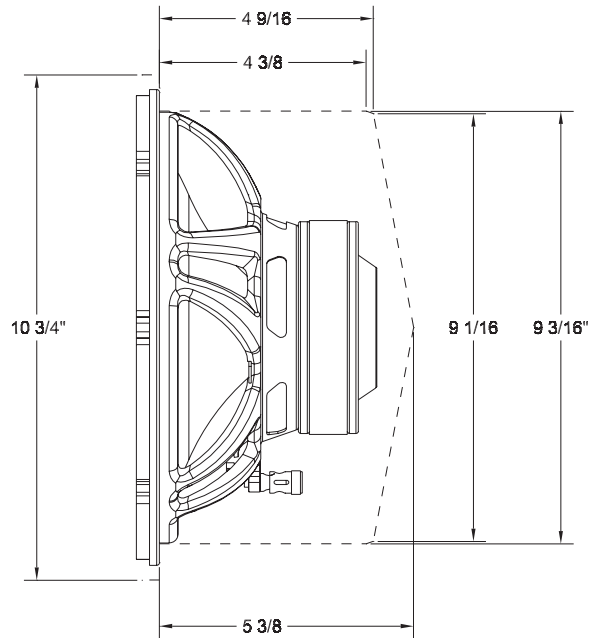
As always, before screwing or drilling check to make sure you will not damage any wires, hoses or cause damage to the vehicle.

FACTORY SPEAKER WIRE COLORS

In the channel on drivers' side threshold, locate the left and right rear speaker wires wrapped in black tape. Wire colors for the left rear speakers are: **Light Blue (positive) and Black w/Yellow (negative)**. Right rear speaker wire colors are: **Orange w/Blue (positive) and Red w/Blue (negative)**.

Although every effort has been made to assure proper wiring color, Mitek is not responsible for any changes made by the vehicle manufacturer which sometime occur. If wiring colors do not match then physical verification is required. These instructions are guidelines only and in no way are intended to replace a professional installation. As always before screwing and drilling check to make sure you will not damage wires, hoses or cause damage to the vehicle.

MAXIMUM ENCLOSURE MOUNTING SPECIFICATIONS



**MAXIMIZE YOUR SYSTEM'S
PERFORMANCE**

streetwires.com

STREETWIRES®