

BASS SLAMMER™

RMP101

Enclosure Volume: .6 Cubic Foot, Sealed

READ ALL DIRECTIONS CAREFULLY BEFORE BEGINNING

MOUNTING LOCATION: The enclosure mounts behind the seat directly behind driver in the Ranger or Mazda B-Series regular cab trucks.

TOOLS FOR INSTALLATION:

Ratchet

5/16" Socket

3/8" Drill Bit

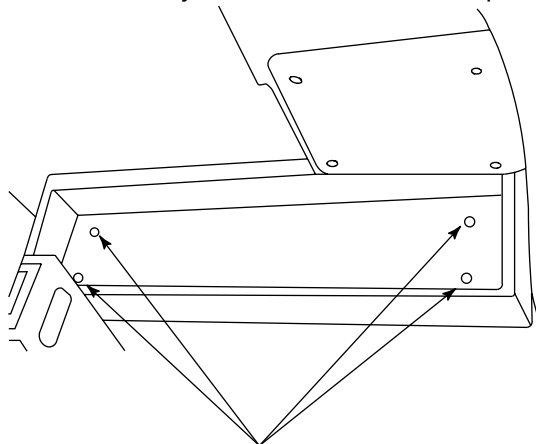
Phillips Head Screwdriver

Power Drill

7/32" Socket

INSTALLATION: Follow the steps below

1. Place gasket provided around woofer hole cutout. Connect black wire to the negative side of woofer and red to the positive side. Using screws provided install woofer into enclosure, making sure not to overtighten screws to avoid stripping.
2. Remove rubber mat from bottom of tray behind driver seat by pulling up on tab. All models do not have this mat.
3. Remove tray by removing four 7/32" bolts from tray. Retain these items to replace if you sell the vehicle.

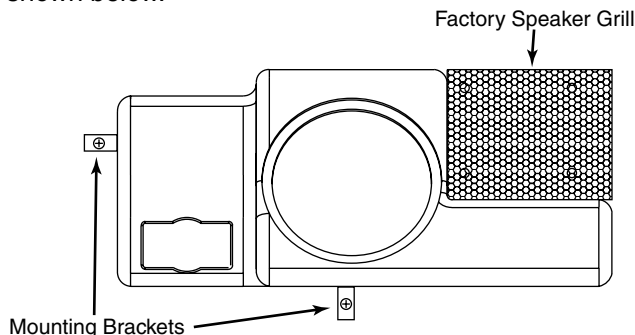


7/32" Bolts to be Removed

4. Attach one bracket provided to bottom of enclosure front beneath woofer. The other bracket provided attaches to the left side of the enclosure at the top towards the rear of the enclosure as shown below.
5. In front of the terminal cup there is a hole left where the factory tray was removed this is unseen with the seat in the normal driving position. You can repair this spot by cutting a small piece of carpet from beneath the tray location and gluing it into this hole or under the carpet in this spot.
6. Make speaker connections to the enclosure from your amplifier, loosen terminal knobs (a 13mm nut driver can be used). Connect wires from amplifier to enclosure, positive to red terminal and negative to black terminal knob.

Suggestion: For a custom install, screw thru back of enclosure into rear of truck. Install driver.

7. Screw enclosure into place as shown below.

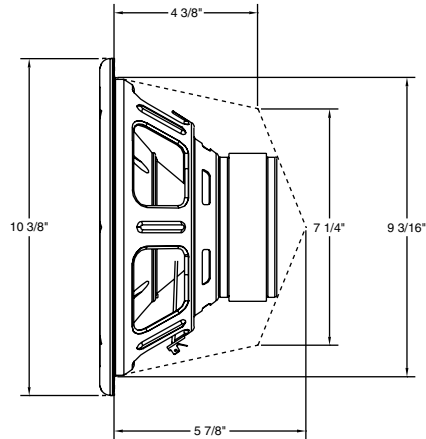


FACTORY SPEAKER WIRE COLORS

The rear speaker wires are located under drivers side threshold. Colors are right side orange/red (positive), brown/pink (negative), and left side tan/yellow (positive), gray/light blue (negative).

Although every effort has been made to assure proper wiring color, Mitek is not responsible for any changes made by the vehicle manufacturer which sometime occur. If wiring colors do not match then physical verification is required. These instructions are guidelines only and in no way are intended to replace a professional installation. As always before screwing and drilling check to make sure you will not damage wires, hoses or cause damage to the vehicle.

MAXIMUM ENCLOSURE MOUNTING SPECIFICATIONS



**MAXIMIZE YOUR SYSTEM'S
PERFORMANCE**

streetwires.com

STREETWIRES®