

# S BASS SLAMMER™

## TTP10

**Enclosure Volume: 1 Cubic Foot, Sealed**

**READ ALL DIRECTIONS CAREFULLY BEFORE BEGINNING**

**MOUNTING LOCATION:** The enclosure mounts behind the driver's seat.

**TOOLS FOR INSTALLATION:**

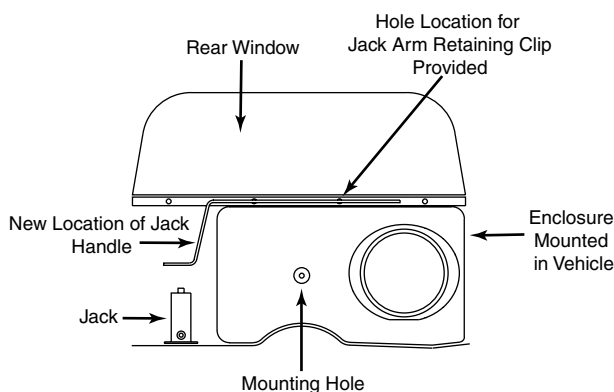
Powered Screwdriver

Power Drill

11/64" Drill Bit

**INSTALLATION:** Follow the steps below

1. Place gasket provided around woofer hole cutout. Connect black wire to the negative side of woofer and red to the positive side. Using screws provided install woofer into enclosure, making sure not to overtighten screws to avoid stripping.
2. Remove jack handle and relocate to position shown below using clips provided in existing holes in vehicle.
3. Place enclosure into vehicle and transfer hole location in the center of the enclosure to the back of the vehicle. Remove the enclosure and drill a 11/64" hole.
4. Make speaker connections to the enclosure from your amplifier, loosen terminal knobs (a 13mm nut driver can be used). Connect wires from amplifier to enclosure, positive to red terminal and negative to black terminal knob.
5. Using bolt provided, install the enclosure into vehicle as shown below. Using hole drilled in Step 3.

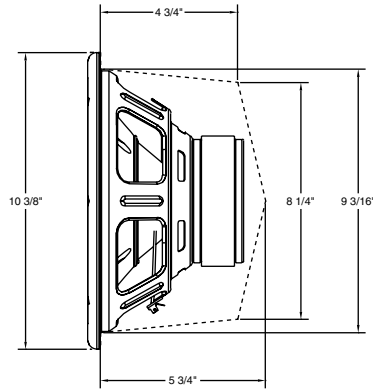


### FACTORY SPEAKER WIRE COLORS

The speaker wires are located behind the radio. Colors are right side red (positive), white (negative), and left side black (positive), yellow (negative).

*Although every effort has been made to assure proper wiring color, Mitek is not responsible for any changes made by the vehicle manufacturer which sometime occur. If wiring colors do not match then physical verification is required. These instructions are guidelines only and in no way are intended to replace a professional installation. As always before screwing and drilling check to make sure you will not damage wires, hoses or cause damage to the vehicle.*

**MAXIMUM ENCLOSURE MOUNTING SPECIFICATIONS**



**MAXIMIZE YOUR SYSTEM'S  
PERFORMANCE**

[streetwires.com](http://streetwires.com)

**STREETWIRES®**